

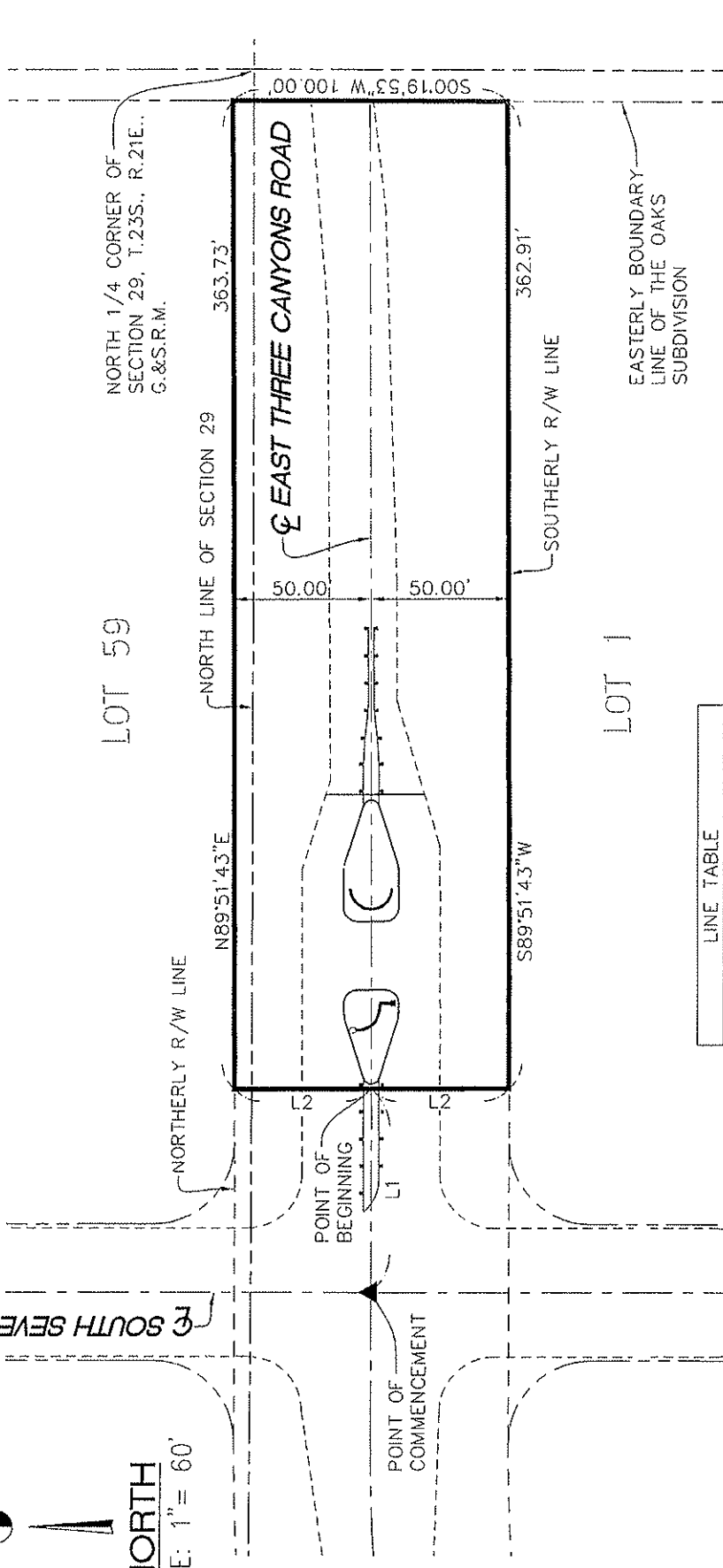
# EXHIBIT "B"



**NORTH**

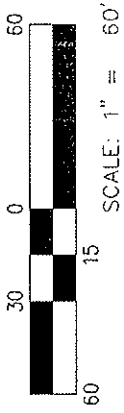
SCALE: 1" = 60'

☉ SOUTH SEVEN OAKS DRIVE



LINE TABLE		
LINE	BEARING	LENGTH
L1	N89°51'43"E	75.00'
L2	N00°08'17"W	50.00'

▲ = 6" CONCRETE MONUMENT WITH BRASS CAP  
 STAMPED "RLS 14181" FLUSH WITH PAVEMENT



PREPARED BY:  
**McINTOSH & ASSOCIATES**  
 LAND SURVEYORS  
 2001 WEECAL CT. BAKERSFIELD, CA 93305 (607) 834-0818

CASTLE & COOKE ARIZONA, INC.  
 GATE AREA

THE OAKS, MAP BOOK 15, PAGES 77-77G

JOB NO. 792001  
 DATE: 8/20/07  
 FILE NO. 2001EM30A  
 DONE BY: EV/GC  
 AREA: 36.332 S.F.